

XENONSUPPLY
INSTALLATION GUIDE



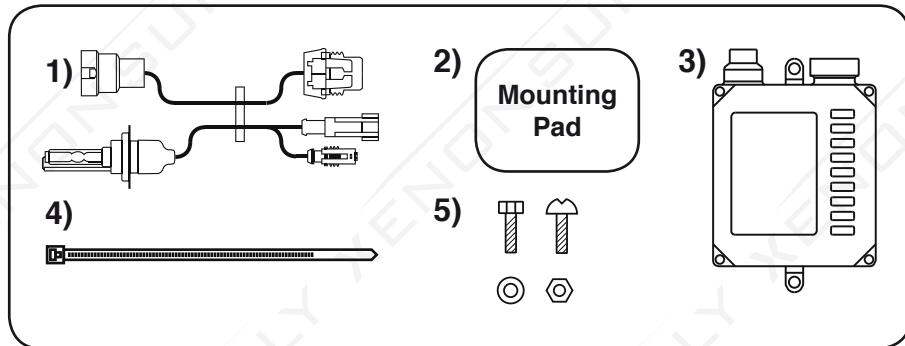
INT:LLIGHT

Table of Contents

Pre-installation Checklist	1
Single Beam Installation	2
Single Beam Installation with Accessory Wiring Harness Diagram	5
Single Beam Installation with Accessory Wiring Harness and Capacitor Diagram	6
Bi-Xenon (High/Low) Bulb Installation with Accessory Wiring Harness	7
Bi-Xenon (High/Low) Bulb Installation with Accessory Wiring Harness Diagram	8
Troubleshooting the HID Kit Installation	9

Please read the reference handbook carefully before removing original car lighting from the vehicle. Please read through the entire handbook thoroughly before installing the HID system. Following this guide will ensure the proper installation and configuration of your HID system.

1. Turn off the ignition and remove the keys.
2. As a safety precaution, make sure that the engine bay has cooled down properly before starting the installation process.
3. Put the vehicle into “park” or make sure it is securely in gear with the emergency brake engaged.
4. Be careful not to touch the bulbs with your fingers, as this may damage the HID bulb. Also, be careful to avoid crushing or cutting the bulbs or bulb base.
5. Fully examine the connection of the contact points, ports, and the wires, as faulty or loose connections may cause lighting problems.
6. Make certain that the end of the bulb does not come in contact with the interior light shield of the headlight when adjusting the bulb.
7. You may be required to drill an approximate 25mm (1 inch) hole into the back of the resin or rubber headlight dustcover.
8. Be careful to avoid burns during installation of the components, especially after turning on or off the vehicle’s lighting.



- 1)** (2) Two HID Bulbs & Wiring
- 2)** (2) Two Ballast Mounting Pads
- 3)** (2) Two HID Ballasts
- 4)** (6) Six Zip Ties
- 5)** Nuts and Bolts

Please make sure all parts are included in your HID kit.

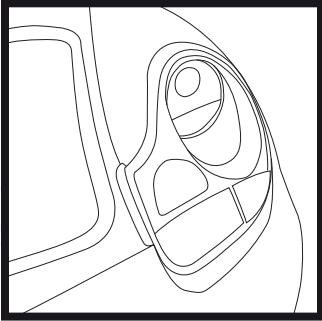


Figure 2.1

- Open the hood and determine if your engine bay has enough space for you to do the installation.
- If necessary, remove the headlight assemblies to access the bulb housing.
- Remove the dustcover behind the bulb, if equipped.

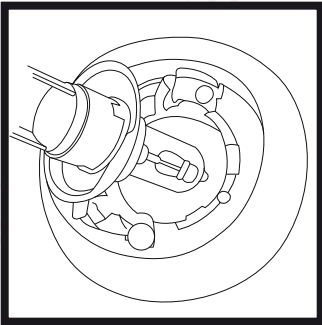


Figure 2.2

- Unplug the vehicle wire from the bulb.
- Remove the original halogen bulb. Depending on your vehicle, the bulb can be removed by either turning the bulb base to unlock or disengaging the wire clip holding the bulb in place.
- Store the original halogen bulbs in a safe location.

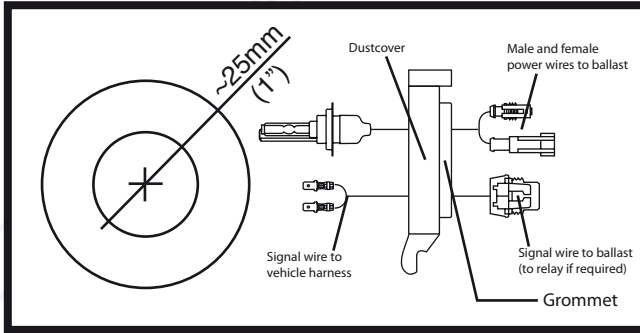


Figure 3.1

**Please refer to the drawing on the left.*

- Drill a hole with the 25mm (1 inch) cutter into the back side of the headlight dustcover.
- As shown in the drawing, insert the wires through the hole and then fit the rubber grommet into the ~25mm (1 inch) hole in the back of the dustcover.

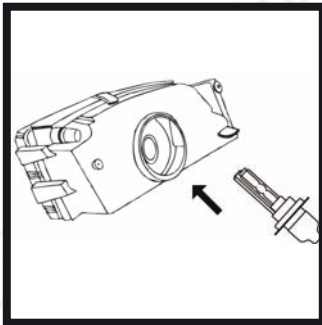


Figure 3.2

- Insert the HID bulb into the headlamp and install the HID bulb by reversing the removal process of the original halogen bulb.
- Please make sure the bulb is seated securely in the headlight housing.
- Wear gloves to prevent smearing of grease or debris on the bulb.
- If smearing does occur, it is best to wipe down with a dry cloth and rubbing alcohol.
- Connect the vehicle harness to the signal wire that connects to the ballast. (see Figure 3.1)

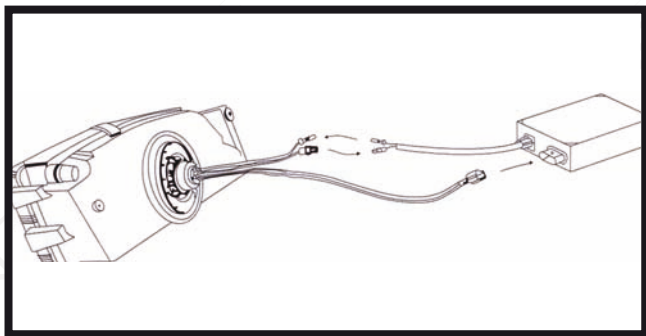


Figure 4.1

- Connect the male and female power wires from the bulb to the male and female wires from the ballast.
- Connect the signal wire into the ballast.
- Note: A clicking sound implies successful connection.
- Test the headlights to make sure that they are operating correctly before mounting the ballast and finalizing the installation.
- **If the lights do not work**, reverse the polarity of the signal wire by swapping the leads into the vehicle connector and then test again. Make sure the engine is on when testing the lights.
- This completes the single beam HID installation.

HID Installation with Accessory Harness:

H1, H3, H7, H8, H9,
H10, H11, 880, 5202,
9005, 9006 Type

Please see pg. 5 for complete
harness installation diagram.

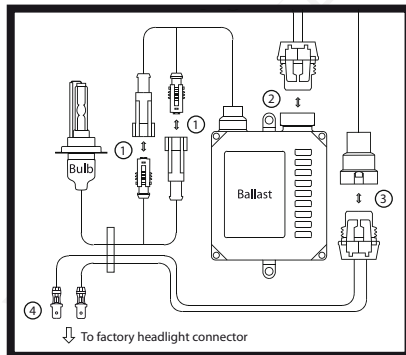


Figure 4.2

H4, H13, 9003,
9004, 9007, 9008
Type (Relay Kit)

Please see pg. 7 for complete
harness installation diagram.

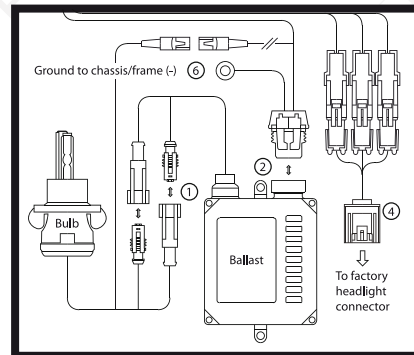
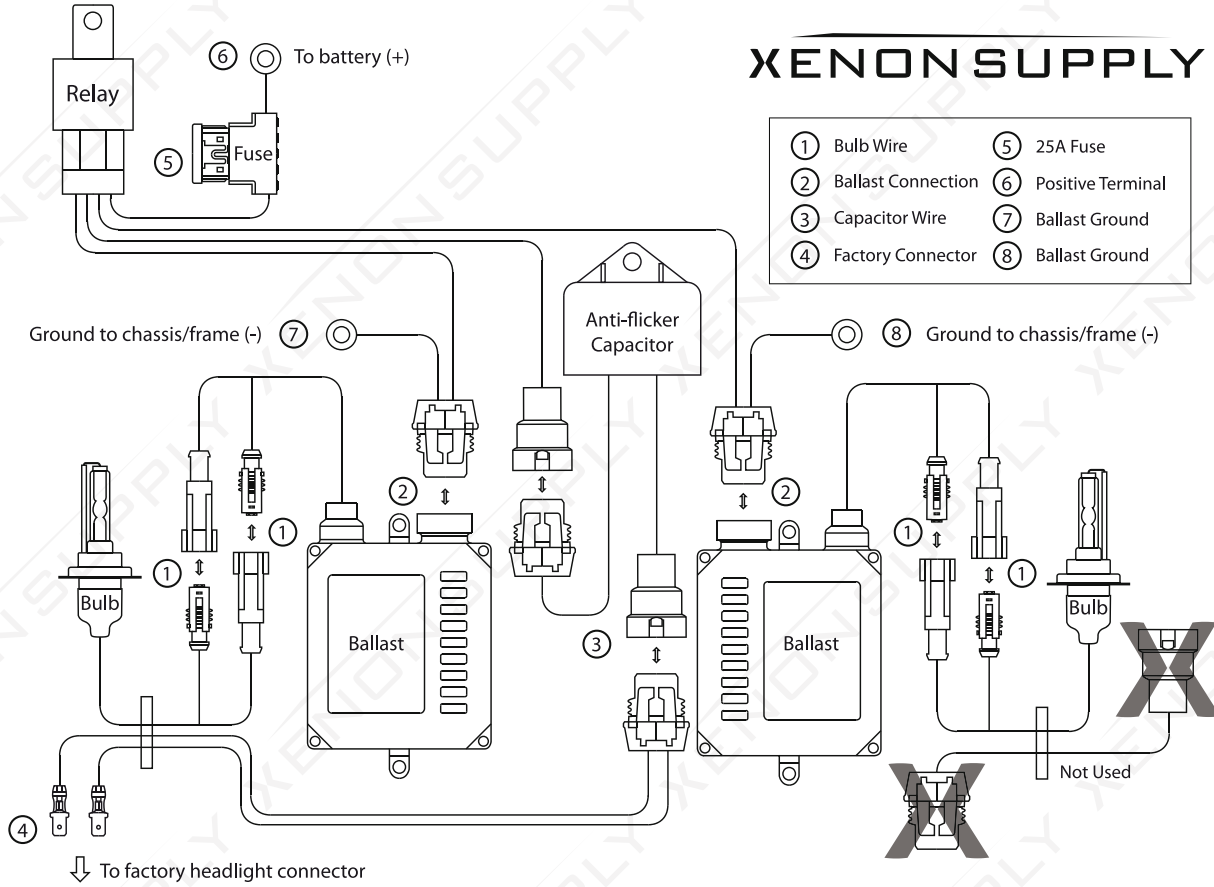


Figure 4.3

Single Beam Installation with Accessory Wiring Harness and Capacitor Diagram



XENON SUPPLY

- | | |
|----------------------|---------------------|
| ① Bulb Wire | ⑤ 25A Fuse |
| ② Ballast Connection | ⑥ Positive Terminal |
| ③ Capacitor Wire | ⑦ Ballast Ground |
| ④ Factory Connector | ⑧ Ballast Ground |

Ground to chassis/frame (-) ⑦

⑧ Ground to chassis/frame (-)

↓ To factory headlight connector

Not Used

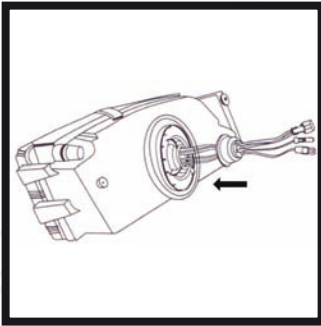


Figure 7.1

- Please read all of the directions before installation.
- Drill a ~25mm (1 inch) hole into the dustcover if equipped.
- Begin by inserting the wiring harness through the headlight dustcover and securing the wiring in place with the attached grommet.
- Install the new HID bulb into the headlight housing and reinstall the dustcover.
- Arrange the Bi-Xenon wiring harness with the relay closest to the side of the battery/accessory port.
- Connect the red wire from the relay to the positive (red) terminal.
- Connect the black ground wires to metal bolts on the chassis.

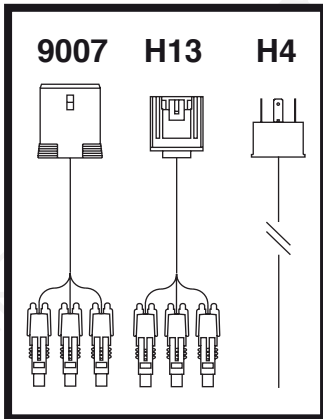
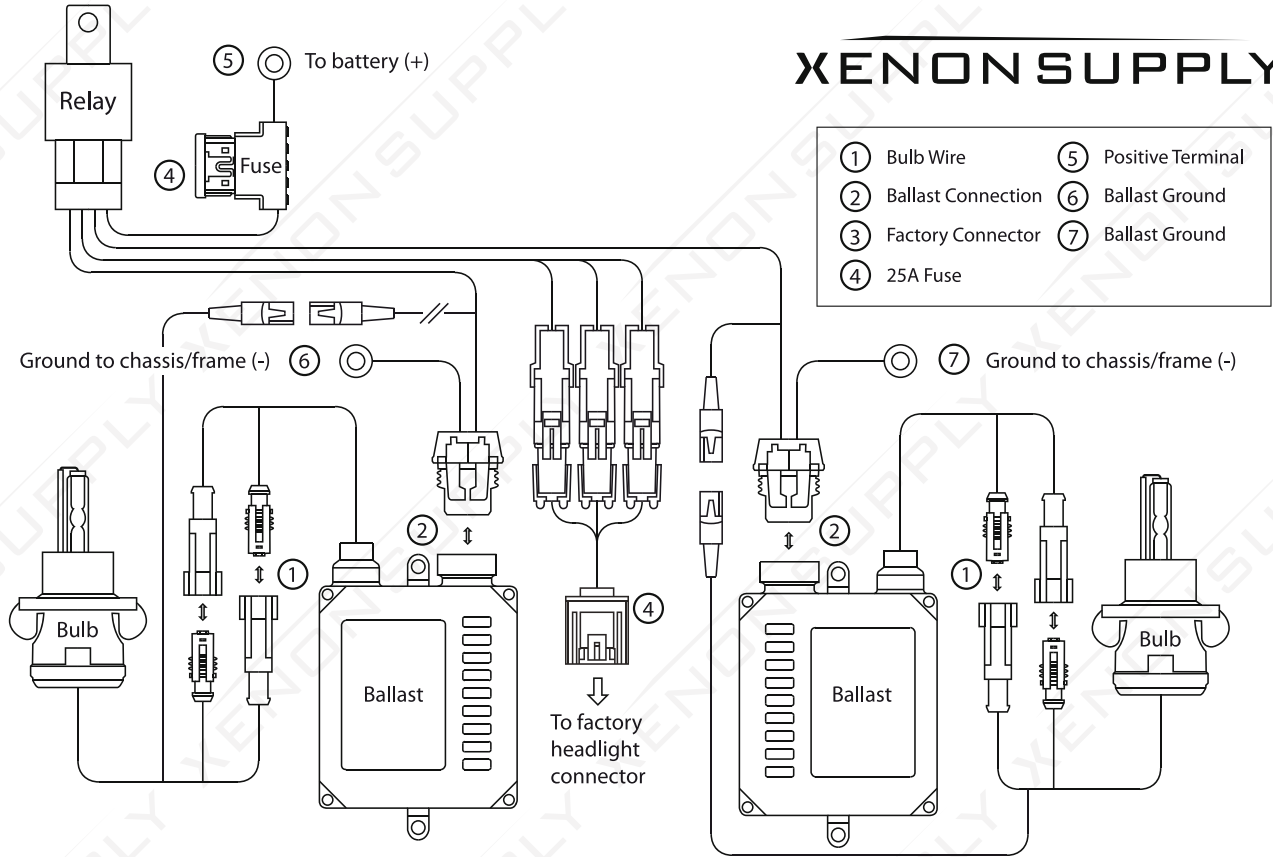


Figure 7.2

- Connect the male and female power wires from the bulb to the male and female wires from the ballast. Connect the high/low control wire from the bulb to the corresponding wire on the harness.
- Connect the signal wire to the wiring harness on the side closest to the battery/accessory port. The stock vehicle harness on the side opposite of the battery will not be used.
- Note: A clicking sound implies successful connection.
- Test the headlights to make sure that they are operating correctly before mounting the ballast and finalizing the installation.

Mount the ballast to any flat solid surface in the engine bay by using double-sided mounting tape, brackets, mounting screws or zip ties. (Avoid areas where high temperatures can build up).

Bi-Xenon (High/Low) Bulb Installation with Accessory Wiring Harness Diagram



If your HID kit does not turn on...

1. Reverse the polarity of the signal wires going from the factory headlight connector.
2. Make sure that the wires are connected securely and the ground wires are properly making contact with the chassis.

Troubleshooting tips

Poor light output from the headlight housing

- a. Lack of power input may lead to the bulb flickering or simply poor lighting.
Solution: Adding an additional relay set will help to stabilize the electric voltage and improve the light output.
- b. Bulb may not be seated properly within the headlight housing giving the appearance of a diminished light output.
Solution: Remove and reinstall the bulb to ensure that it is properly seated.

Post-Installation Inspection

1. Make sure that all parts removed during the installation are reinstalled in their correct original locations.
2. Make sure that no other parts have been disturbed during the installation (engine, wipers, etc.).

Notice

1. HID components carry electrical charges. Take care when installing the HID system.
2. Do not touch the bulbs when turning the power on and off. The bulb will be hot and may cause burn damage.
3. Do not stare directly at the light bulbs themselves as this can cause serious damage to your eyes.
4. Do not attempt to disassemble the HID system or reconstruct broken parts. If such actions are attempted, we take no responsibilities for the results and may void the warranty on the product(s).
5. Keep these products away from flammable objects such as, but not limited to: paper, oil, spray paint, diluting agents, etc.
6. Do not adjust the lights to point upward.
7. Please do not switch on the lights until the vehicle has been started.
8. This installation guide is intended for off-road/showroom demonstration purposes only.
9. If repairs or replacements are needed, please contact a XenonSupply support representative by email at help@xenonsupply.com or (800) 840-3240.



XENON SUPPLY